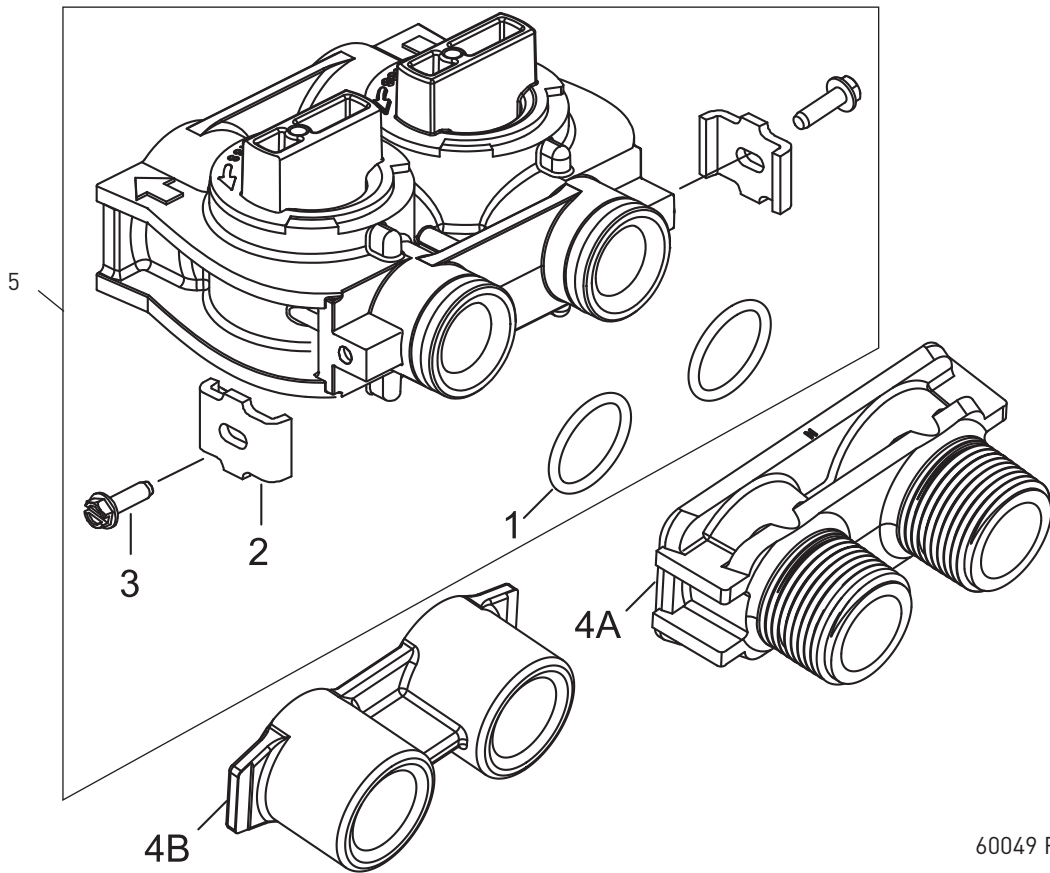


BYPASS VALVE ASSEMBLY (PLASTIC)



60049 Rev G

Item No.	QTY	Part No.	Description	Item No.	QTY	Part No.	Description
1	2	13305	O-ring, -119				Machined, SS
2	2	13255	Clip, Mounting			41026-02	Yoke, 1-inch , BSP, Cast, MACHD, SS
3	2	13314	Screw, Slot Ind Hex, 8-18 x .60			18706-10	Yoke, 1-inch , BSP, Plastic
4A	1	18706	Yoke, 1-inch , NPT, Plastic			41027-02	Yoke, 3/4-inch , BSP, Cast, MACHD
		18706-02	Yoke, 3/4-inch , NPT, Plastic			18706-12	Yoke, 3/4-inch , BSP, Plastic
4B	1	13708-40	Yoke, 1-inch , Sweat			19620-01	Yoke Assy, 3/4-inch , R/Angle, 90 Deg
		13708-45	Yoke, 3/4-inch , Sweat			5	60049 Bypass Plastic
		19275	Yoke, Angle 90 Deg, 3/4-inch , NPT	*	2	19228-01	Adapter Assy, Coupling, w/O-rings
		19275-45	Yoke, Angle 90 Deg, 3/4-inch Sweat				
		19620-01	Yoke Assy, 3/4-inch , R/Angle, 90 Deg w/O-rings, Clips & Screws				
		40636	Yoke, 1-1/4 inch, NPT				
		40636-49	Yoke, 1-1/4 inch, Sweat				
		41027-01	Yoke, 3/4-inch , NPT, Cast, Machined				
		41026-01	Yoke, 1-inch , NPT, Cast,				

*Not Shown